

JSmart705 Tech-Note

5" TFT, 800x480, PCAP Touch

- Full IP protection; ideal for mounting-arm installation
- Includes environment and motion sensors
- 5" TFT color display, resolution 800x480 pixel, 16M colors, dimmable backlight
- PCAP Touchscreen Multitouch
- 10/100 Ethernet port PoE



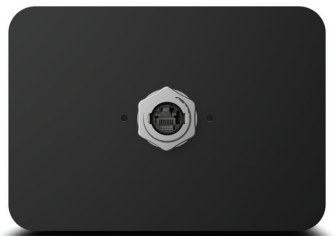
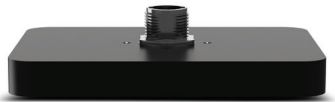
Highlights

JSmart705 is the ideal product for field installation in critical areas. High-resolution 5" display with multitouch PCAP touchscreen with a robust glass front; touchscreen/display bonding for fidget optical performance. Power-over-Ethernet (PoE) for maximum simplicity of connection using standard CAT5 wiring. Full IP protection with the use of dedicated connectors for the maximum flexibility of installation, from mounting arm to a simple M22 hole. The product includes a full set of environment and motion sensors to make this device a true IIoT edge device for Industry 4.0 applications.

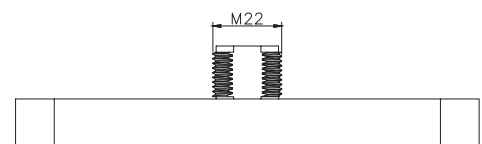
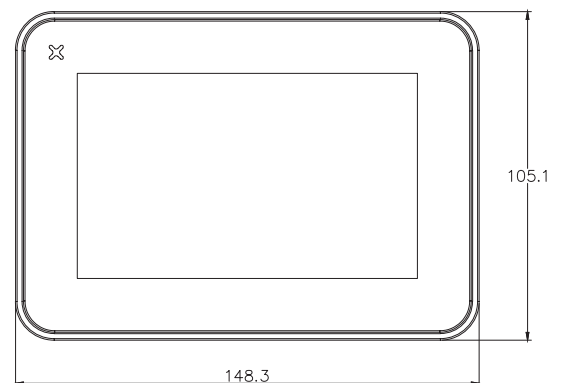
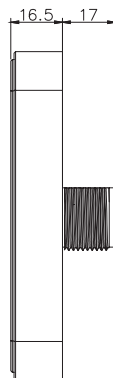
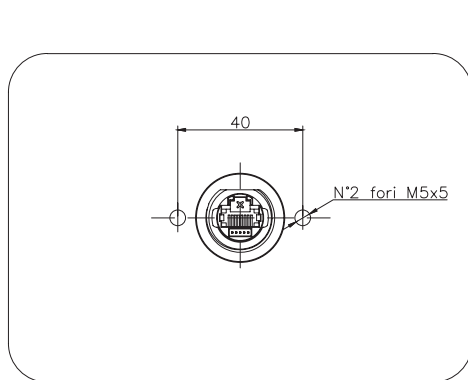
The JSmart product family has been optimized for use as an embedded browser or as a JMobile HMI device.

- Performing HTML5-compatible browser with graphic accelerator
- JMobile runtime with OPC UA Server and Client
- Optional CODESYS V3 PLC for integrated HMI and control applications
- Open platform for Linux applications
- Built-in sensors (temperature and acceleration)

JSmart705 - Technical Data



| System Resources | |
|------------------------------|--|
| Display - Colors | 5" TFT – 16M |
| Resolution | 800x480 |
| Brightness | 300 cd/m2 typ. |
| Dimming | to 0% |
| Touchscreen | Projected Capacitive – Multitouch |
| CPU | 32-bit RISC dual core - 800 MHz |
| Operating system | Linux RT |
| Flash | 4 GB |
| RAM | 1 GB |
| FRAM | 64 KB |
| RTClock, RTC Back-up | Yes |
| Interface | |
| Ethernet port | 10/100 PoE |
| USB port | 1 (Host V2.0, max. 50 mA, available with special cable) |
| LED | 1 RGB |
| Sensors | Temperature, 3-Axis Accelerometer |
| Buzzer | Yes |
| Ratings | |
| Power supply | IEEE 802.3af PoE |
| Power Consumption | 6 W max. |
| Battery | Yes (rechargeable) |
| Environment Conditions | |
| Operating Temp | -20° to +55° C (vertical installation) |
| Storage Temp | -30°C to +80°C |
| Operating / Storage Humidity | 5-85% RH, non-condensing |
| Protection Class | IP67 (requires appropriate accessories and cables) - Type: 1, 12, 4x |
| Dimensions and Weights | |
| Faceplate LxH | 148.3x105.1 mm (5.83x 4.13") |
| Depth D+T+T | 16.5 mm (0.06") |
| Weight | 0.5 Kg |
| Approvals | |
| CE | Electromagnetic Compatibility Directive 2014/30/EU (EMC) |
| UL | cULus: UL61010-1 / UL61010-2-201 |
| UL | cULus: Class 1 Div 2 |
| DNV-GL | Yes |
| RCM | Yes |



Ordering Information

| Model | Part Number | Description |
|-----------|---------------|---|
| JSmart705 | +JS705BA0U5P1 | HMI 5" TFT, 800x480, PCAP Touch, 4GB Flash memory, PoE Ethernet + Wi-Fi , JMobile runtime |