

# eX707FB Tech-Note

## HMI 7" TFT, PCAP Touch Hygienic design, IP69

- Extensive Guarantee despite no Protective Casing
- Ease of Cleaning
- Real World IP69 Rating
- Glass Strength with Polyester Coating
- High Pressure 80°C Water Resistant
- Perfect Stainless Steel Bezel Design
- Acid Chemical Resistant
- Food Compliant Gasket
- Front panel and gasket guidelines:
  1. DIN EN1672-2
  2. EHEDG / FDA 21 CFR 177.2006



## Highlights

Where tough legislation requires that handling, preparation, processing and packaging of food is done to be extremely hygienic, the outstanding eX707FB 7" Food and Beverage HMI is the **best choice for manufacturer and final consumer**.

No other company offers such specialized solutions to the everyday problems faced in the Food and Beverage industry and in **particular the meat processing sector**.

The food & beverage and pharmaceutical sectors are very different environments from the industrial world. Although the set up of the production facilities might seem similar, **there are a series of legislative requirements and guidelines that are dramatically more onerous**.

EXOR has adapted its highly successful eX707 to meet these challenges. EXOR alters the HMI devices in many areas to comply with the CEI EN 60529 guidelines with an **incredible level of attention to eliminating the accumulation of food, grease, and product powder particles**.

The rugged stainless-steel fronts are **highly polished to allow particles to flow away** from the surface. The frame has the optimal **angle of contact to the machine surface** to both enable cleaning liquids to wash away and also **not to allow bacteria or microbes to remain**.

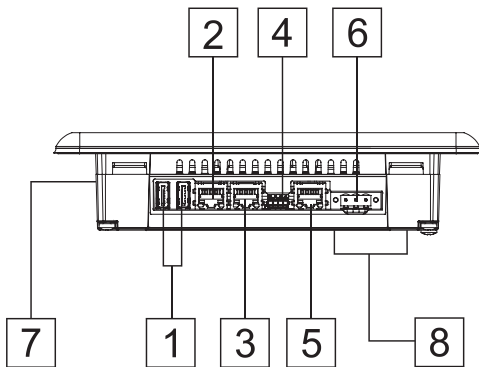
All these measures and more mean that EXOR can offer this product at a high protection **front panel rating of IP69**: resistance to frequent washing with water at high pressure and high temperature. Resistance to highly aggressive cleaning substances is a plus.

No longer will you need to contain the HMI devices within a costly cabinet as is so often seen. Industry sectors that might require this series are the **food, pharmaceutical and chemical industries or anywhere, where the highest level of attention to hygiene is a requirement for reputational risk**.

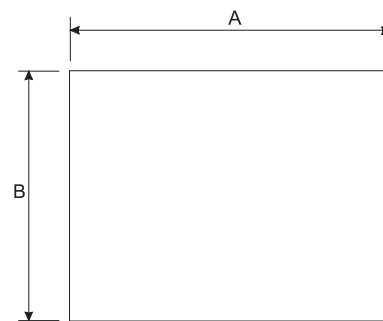
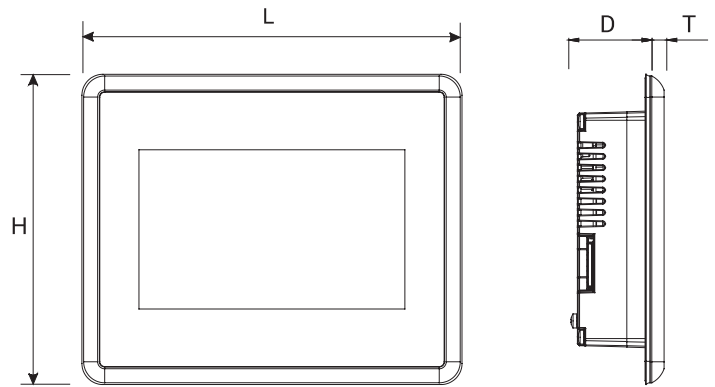
# eX707FB - Technical Data



| System Resources                     |  |
|--------------------------------------|--|
| Display - Colors                     | 7" TFT 16:9 LED - 16M  |
| Resolution                           | 800x480, WVGA  |
| Brightness                           | 500 Cd/m <sup>2</sup> typ.   |
| Dimming                              | to 0%  |
| Touchscreen                          | Projected Capacitive, Multitouch   |
| CPU                                  | 32-bit RISC dual core - 800 MHz  |
| Operating System                     | Linux RT   |
| Flash                                | 4 GB   |
| RAM                                  | 1 GB   |
| Real Time Clock, RTC Back-up, Buzzer | Yes  |
| Interface                            |  |
| Ethernet port                        | 3 (port 0 - 10/100/1000, port 1 - 10/100, port 2 - 10/100)   |
| USB port                             | 2 (Host V2.0, max. 500 mA)   |
| Serial port                          | 1 (RS-232, RS-485, RS-422, software configurable)<br>Max 3 serial ports using plug-in modules.                   |
| SD card                              | Yes  |
| Expansion                            | 2 slot for plug in modules   |
| Ratings                              |  |
| Power supply                         | 24 Vdc (10 to 32 Vdc)  |
| Current Consumption                  | 0.7 A at 24 Vdc (max.)   |
| Input Protection                     | Electronic   |
| Battery                              | Rechargeable Lithium battery, not user-replaceable   |
| Environment Conditions               |  |
| Operating Temp                       | -20° to +60 °C (vertical installation)<br>Plug-in modules and USB devices may limit<br>max temperature to +50 °C |
| Storage Temp                         | -20°C to +70°C   |
| Operating / Storage Humidity         | 5-85% RH, non condensing   |
| Protection Class                     | IP69 (front), IP20 (rear)<br>Type: 12, 4X  |
| Dimensions and Weights               |  |
| Faceplate LxH                        | 217x177 mm (8.54x6.96")  |
| Cutout AxB                           | 176x136 mm (6.93x5.35")  |
| Depth D+T                            | 45+10 mm (1.77+0.4")   |
| Weight                               | 2.5 Kg   |
| Approvals                            |  |
| CE                                   | Electromagnetic Compatibility Directive 2014/30/EU (EMC)   |
| UL                                   | cULus: UL61010-1 / UL61010-2-201   |
| RCM                                  | Yes  |



- 1 USB ports 1 and 2
- 2 Ethernet port 2 (10/100 Mb)
- 3 Ethernet port 1 (10/100 Mb)
- 4 Serial port
- 5 Ethernet port 0 (10/100/1000 Mb)
- 6 Power supply
- 7 SD Card slot
- 8 2 Expansion slots for plugin modules



Cut-out

## Ordering Information

| Model   | Part Number | Description  |
|---------|-------------|--|
| eX707FB | +EX707U4F1  | HMI 7" PCAP Touch, 3x Ethernet, Hygienic design, IP69, JMobile runtime |